



Description

General Purpose Liquid-Filled Pressure Gauges are designed for pressure measurements in different industrial applications where high accuracy is not needed. General Purpose Liquid-Filled Pressure Gauges have various case designs and wide pressure measurement range and are all compatible with process fluids that do not attack copper alloys. The filling liquid used in the products lessens the effects of high dynamic pressure loads and vibration to the pressure gauge.

Industrial Applications

Water&Waste-Water treatment plants, machine building, HVAC systems, hydraulic and pneumatics, process lines

General Specifications

Conformity:

EN 837-1

Gauge Sizes (mm):

Ø40, Ø50, Ø63, Ø100, Ø160

Unit:

bar/psi

Measurement Ranges:

Ø40 : -1/0, 0/1...400 bar (-15/0, 0/15..6000 psi)

Ø50, Ø63, Ø100, Ø160: -1/0, 0/0,6...600 bar

-15/0, 0/9...9000 psi

Equivalent compound gauge scales

Accuracy Class:

CL 2,5 (Ø40, Ø50, Ø63, Ø100) (Optional: KL1,6)

CL1,6 (Ø160)

Working Pressure:

75% of Full Scale

Overpressure Resistance:

1.25xFull Scale (Up to 100 bar)

1.15xFull Scale (From 100 bar to 600 bar)

1.1xFull Scale (Over 600 bar)

Ingress Protection Rate:

IP67 (Ø40mm), IP65

Versions:

Fillable

Liquid-Filled : Glycerin (Optional: Silicone Oil)

Working Temperature Range:

Ambient: -20°C...60°C

Process: -20°C...60°C

Process Connections:

Ø40 : G1/8"B

Ø50, Ø63 : G1/4"B

Ø100, Ø160 : G1/2"B

Materials:

Bourdon Tube:

Copper Alloy

Socket:

Brass

Case:

AISI 304

Cover:

AISI 304

Movement:

Brass

Window:

Ø40, Ø100: Polycarbonate

Ø50, Ø63: Acrylic

Ø160: Safety Glass

Dial:

Aluminium

Pointer:

Ø40, Ø50, Ø63, Ø100: Plastic

Ø160: Aluminium

Ø50, Ø63, Ø100: Aluminium (Optional)

Options:

Other Process Connections

Other Pressure Units

Special Dial Design

Silver Brazed

Coated Pressure Sensing Element

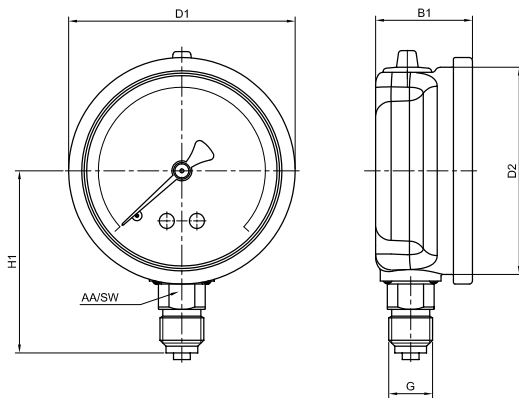
Nitrogen (N) Dial

Oxygen (O) Dial

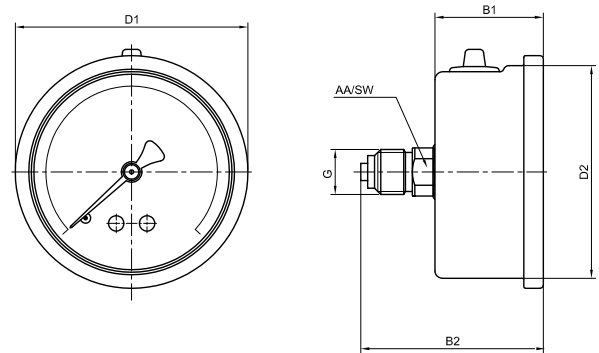
Argon (Ar) Dial

Dimensions (mm)

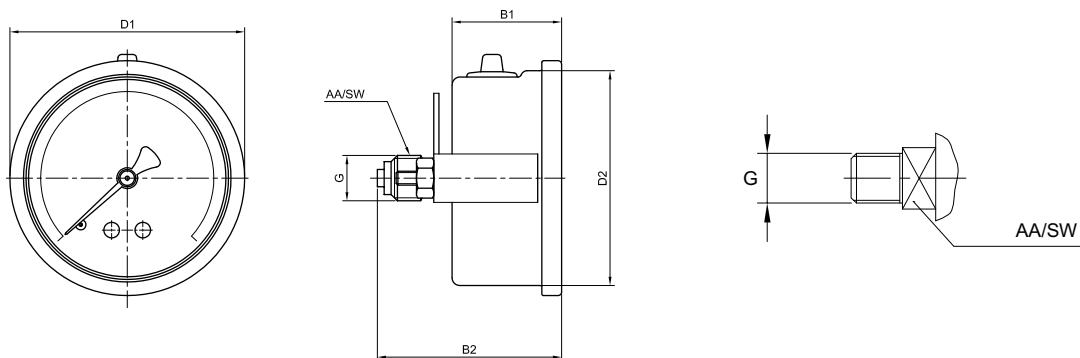
01-Bottom Connection



02-Back Connection

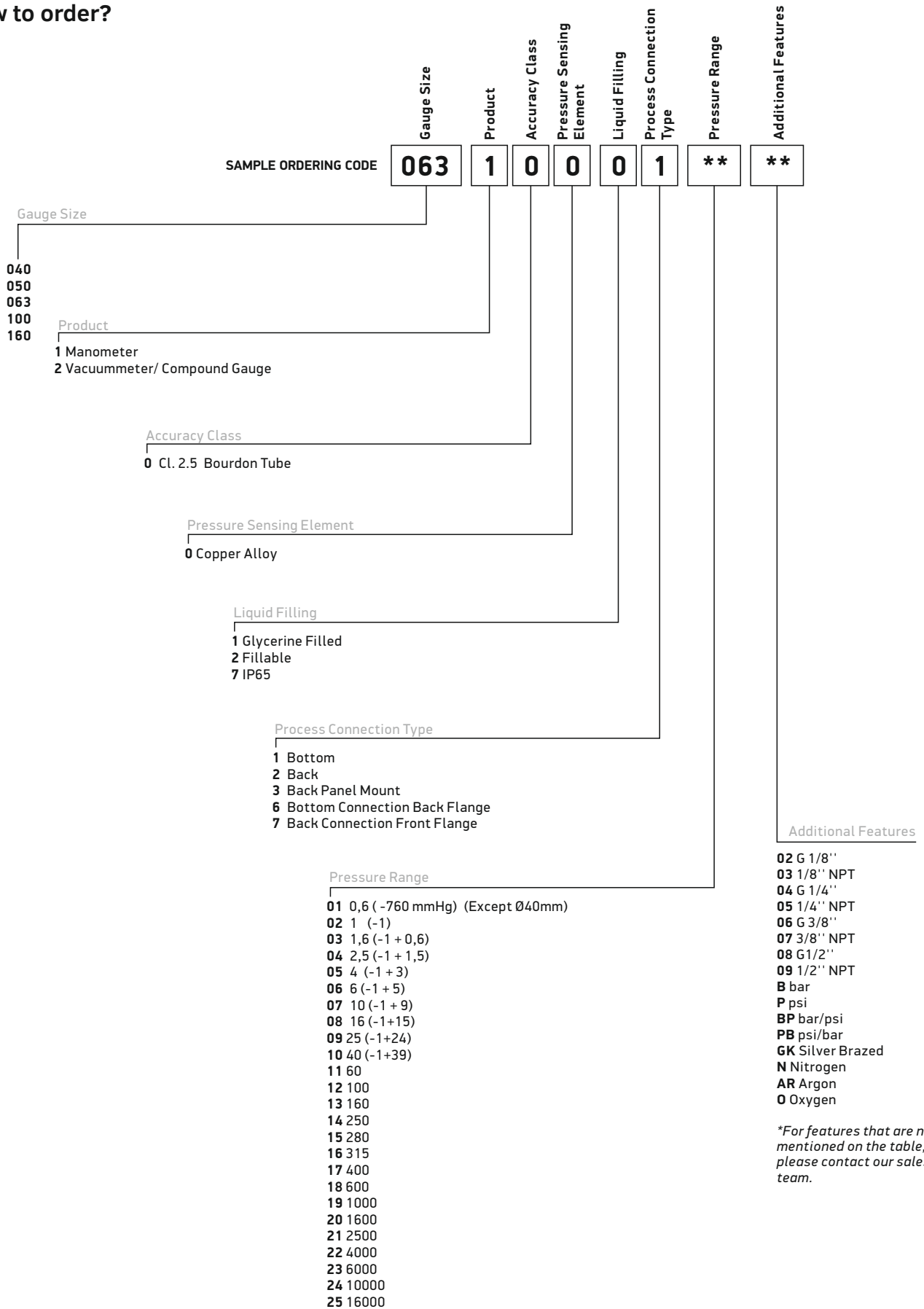


03-Back Connection Panel Mount



Ø	Connections	Version	Case	Window	Cover	D1	D2	B1	B2	H	G	SW
Ø40	Back	Standard	Metal	Plastic	Crimped Ring	43	39	25.7	48.7	-	G1/8"	15
Ø50	Bottom	Standard	Metal	Plastic	Crimped Ring	56.5	50	28.5	-	41	G1/4"	15
	Back	Standard	Metal	Plastic	Crimped Ring	56.5	50	28.5	58	-	G1/4"	15
Ø63	Back Panel Mount	Standard	Metal	Plastic	Crimped Ring	56.5	50	28.5	58	-	G1/4"	15
	Bottom	Standard	Metal	Plastic	Crimped Ring	68	62	30.5	-	54.5	G1/4"	14
Ø63	Back	Standard	Metal	Plastic	Crimped Ring	68	62	31.5	53.5	-	G1/4"	14
	Back Panel Mount	Standard	Metal	Plastic	Crimped Ring	68	62	31.5	53.5	-	G1/4"	14
Ø100	Bottom	Standard	Metal	Plastic	Crimped Ring	106	98,8	34	-	84	G1/2"	22
	Back	Standard	Metal	Plastic	Crimped Ring	106	98,8	31	65.8	-	G1/2"	22
Ø100	Back Panel Mount	Standard	Metal	Plastic	Crimped Ring	106	98,8	31	65.8	-	G1/2"	22
	Bottom	Standard	Metal	Glass	Crimped Ring	169	158	35.5	-	113	G1/2"	22

How to order?



Approvals:



Turkish Standards Institution



ISO 9001 Quality Management System



TURKAK Calibration Laboratory Accreditation Certificate



2014/68/EU Pressure Equipment Directive - Certificate of Conformity



Gost Certificate

*System and quality certifications of PAKKENS Inc.
Product and product group certifications may vary*